

# Product data sheet

## Characteristics

# 8910DPA43V02

Contacteur, Definite Purpose, 40A, 3 pole, 25 HP at 575 VAC, 3 phase, 110/120 VAC 50/60 Hz coil, open



Product availability: Stock - Normally stocked in distribution facility

Price\*: 113.25 USD



### Main

Product or component type	Definite Purpose Contactor
Line Rated Current	40 A
Poles description	3P
Pole contact composition	3 NO
Range of product	DPA

### Complementary

Maximum Horse Power Rating	3 Hp 115 V AC, 1 phase 7.5 Hp 230 V AC, 1 phase 10 Hp 230 V AC, 3 phase 20 Hp 460 V AC, 3 phase 25 Hp 575 V AC, 3 phase
Locked rotor rated current	240 A 277 V AC 200 A 460 V AC 160 A 575 V AC
[Ue] rated operational voltage	600 V AC
[Uc] control circuit voltage	120 V AC 60 Hz 110 V AC 50 Hz
Phase	3 phase
Electrical connection	Quick connect terminals Box lugs
Height	2.31 In (58.67 mm) 2.31 In (58.70 mm)
Width	2.37 In (60.20 mm) 2.37 In (60.2 mm)
Depth	2.90 In (73.66 mm) 2.99 In (76 mm)
Net weight	0.99 Lb(US) (0.45 kg) 0.99 Lb(US) (0.45 kg)

## Environment

Product certifications	UL Recognized CSA
------------------------	----------------------

## Ordering and shipping details

Category	21344 - 8910 DPA 4_(40 AMP)
Discount Schedule	CP1B
GTIN	00785901073444
Nbr. of units in pkg.	1
Package weight(Lbs)	16.00 Oz (453.592 g)
Returnability	Yes
Country of origin	CN

## Packing Units

Unit Type of Package 1	PCE
Package 1 Height	3.10 In (7.874 cm)
Package 1 width	3.90 In (9.906 cm)
Package 1 Length	2.50 In (6.35 cm)

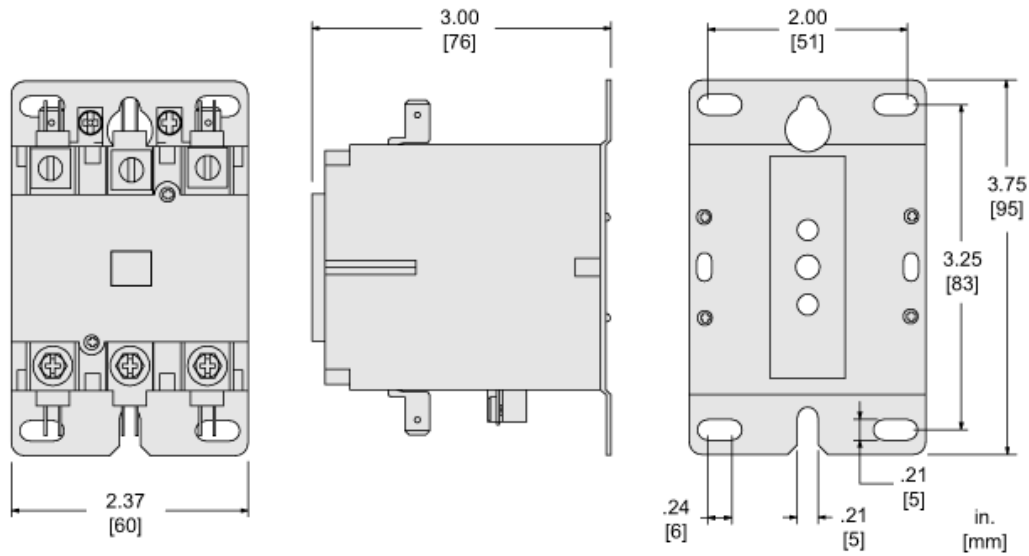
## Offer Sustainability

REACH Regulation	<a href="#">REACH Declaration</a>
EU RoHS Directive	Compliant <a href="#">EU RoHS Declaration</a>
Mercury free	Yes
RoHS exemption information	<a href="#">Yes</a>
China RoHS Regulation	<a href="#">China RoHS Declaration</a>

## Contractual warranty

Warranty	18 months
----------	-----------

Approximate Dimensions



Product Life Status : **Commercialised**